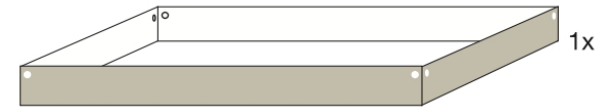
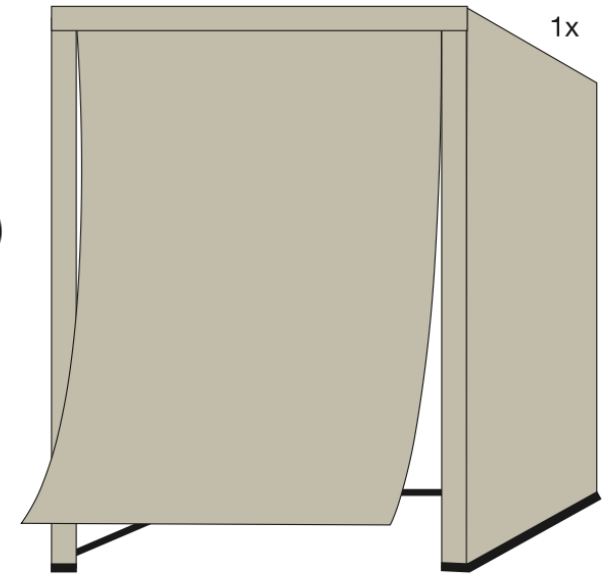
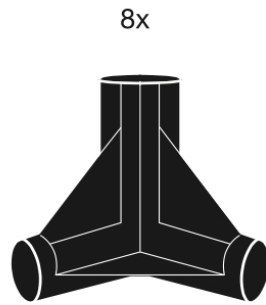
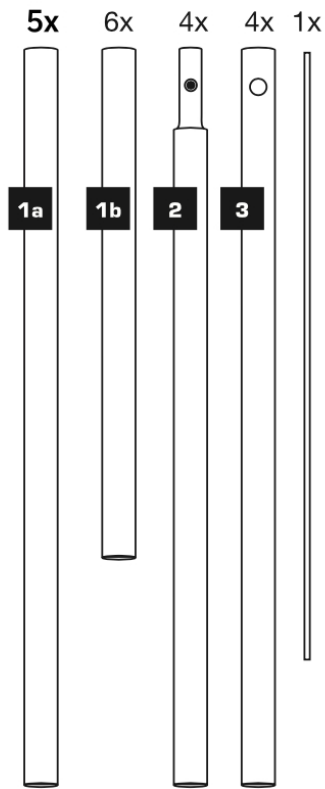
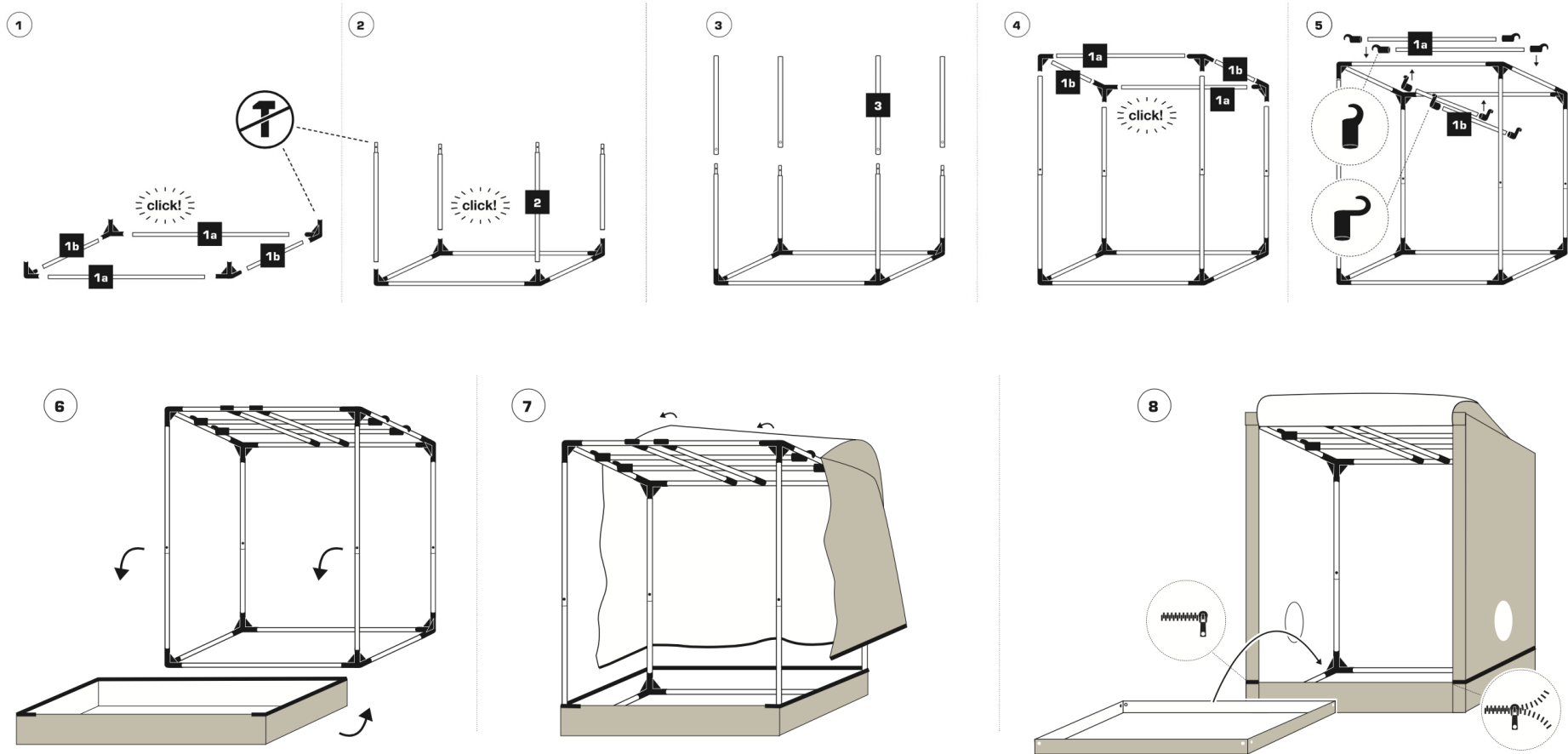


# GROW TENT INSTRUCTIONS

HB-120-S



# Assembly



(Note: The picture is for reference only, the number of parts is subject to the actual situation)